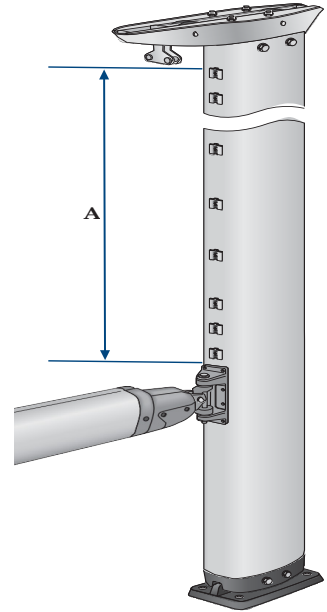


# CMPE Track - Order Form

Order Date: \_\_\_\_\_  
 mm dd yyyy

Requested By: \_\_\_\_\_  
 mm dd yyyy



**Items in RED must be completed. Incomplete forms will delay processing.**

## CMPE Track Measurements

A \_\_\_\_\_ Length of Tides Track required

B \_\_\_\_\_ How many reef points are on your existing sail

## Order Tides Slides and Batten Receptacles

Your Tides Track System comes with a **MAXIMUM CHOICE** of one slide for every two feet of track. If more slides are required, they may be purchased from Tides for an additional cost.

Slide Type: **Stainless Steel**  \***Pinless Stainless Steel**  **Naval Brass**

Quantity		Quantity	
_____	SH-200A Batten Receptacle - Small	_____	SH-400 SH-401 Slide with 10mm Stud
_____	SH-200B Batten Receptacle - Large	_____	SH-401 Reef Slide
_____	SH-500 Headboard Slide	_____	SH-402 Universal with 10mm Stud
_____	SH-600 Intermediate Slide	_____	SH-403 Slide for original Battslide

\* Pinless Stainless Steel available for the SH-401, SH-500 and SH-600 Only.

**BILLING INFORMATION**

Customer Name \_\_\_\_\_

Contact Name \_\_\_\_\_

Address \_\_\_\_\_

Address 2 \_\_\_\_\_

City / State / Zip Code \_\_\_\_\_

Phone Number \_\_\_\_\_

E-Mail Address \_\_\_\_\_

**PAYMENT INFORMATION**

Name On Card \_\_\_\_\_

Address \_\_\_\_\_

Address 2 \_\_\_\_\_

City / State / Zip Code \_\_\_\_\_

Credit Card Type

VISA     AMEX     MC     DISCOVER

Credit Card Number \_\_\_\_\_

Expiration Date: \_\_\_\_\_  
                                  mm      dd      yyyy

Security Code \_\_\_\_\_

Ship Via:

**FedEx**    Overnight    2-Day    3-Day    Ground   **FedEx International**    Priority    Economy

**UPS**    Overnight    2-Day    3-Day    Ground

Tides Account Name \_\_\_\_\_

Tides Account # \_\_\_\_\_

**BOAT INFORMATION** Manufacturer \_\_\_\_\_ Model \_\_\_\_\_

**MAST INFORMATION** Manufacturer \_\_\_\_\_ Model \_\_\_\_\_

Comments:

**SHIPPING INFORMATION**

Same as Billing Information

Customer Name \_\_\_\_\_

Contact Name \_\_\_\_\_

Address \_\_\_\_\_

Address 2 \_\_\_\_\_

City / State / Zip Code \_\_\_\_\_

Phone Number \_\_\_\_\_

E-Mail Address \_\_\_\_\_

**SHIPPING HARDWARE TO ANOTHER LOCATION**

Customer Name \_\_\_\_\_

Contact Name \_\_\_\_\_

Address \_\_\_\_\_

Address 2 \_\_\_\_\_

City / State / Zip Code \_\_\_\_\_

Phone Number \_\_\_\_\_

E-Mail Address \_\_\_\_\_